

Thank you for choosing our flooring. When properly installed and cared for, your new flooring will be easy to maintain and will keep its great look for years. Please read all the instructions before you begin the installation. Improper installation will void the warranty.

## I. GENERAL PREPARATIONS

**TOOLS REQUIRED:** Spacers, rubber mallet, ruler, pencil, tape measure, utility knife, tapping block.

- Prior to installation, inspect material in daylight for visible faults/damage, including defects or discrepancies in color or shine; check the edges of the flooring for straightness and any damage. No claims on surface defects will be accepted after installation.
- It is preferable to lay tiles perpendicular to the window, following the direction of the main source of light. For the best result, make sure to always work from 3 to 4 cartons at a time, mixing the tiles during the installation.
- Check if subfloor/site conditions comply with the specifications described in these instructions. If you are not satisfied, do not install, and contact your supplier.
- Flooring products can be damaged by rough handling before installation. Exercise care when handling and transporting these products. Store, transport and handle the cartons in a manner to prevent any damage. Store cartons flat, never on edge.
- Flooring products can be heavy and bulky. Always use proper lifting techniques when handling these products. Whenever possible, make use of material-handling equipment such as dollies or material carts. Never lift more than you can safely handle; get assistance.
- Calculate the room surface prior to installation and plan an extra 5-10% of flooring for cutting waste.
- The environment where the flooring is to be installed is critically important with regard to successful installation and continued performance of the flooring products. The flooring is intended to be installed in interior locations only. These interior locations must meet climatic and structural requirements as well.
- In most cases, this product does not need to be acclimated. However, if the boxes of flooring were exposed over 2 hours to temperatures under 60°F / 15°C or over 85°F / 30°C within the 12 hours before the installation, acclimation is required. In this case, keep the tiles in room temperature for at least 12 hours in unopened package before you start the installation.
- The room temperature must be maintained consistent between 65-80°F / 18-25°C before and during the installation. Portable heaters are not recommended as they may not heat the room and subfloor sufficiently. Kerosene heaters should never be used.
- After installation, make sure that the flooring is not be exposed to temperatures less than 60°F / 15°C or greater than 85°F / 30°C.
- For floor surfaces exceeding 4300 ft<sup>2</sup> / 400 m<sup>2</sup> and/or lengths exceeding 65 ft / 20 m, use expansion moldings.

## II. SUBFLOOR INFORMATION

- The flooring can be installed over most existing hard surface floor coverings, provided that the existing floor surface is clean, flat, dry, securely fastened, structurally sound and level to 3/16" / 5 mm within 10 ft / 3 m.
- The substrate should not slope more than 1" / 25 mm per 6 ft / 2 m in any direction.
- Depressions, deep grooves, expansion joints and other subfloor imperfections must be filled with patching & leveling compound.
- Substrates must be free from excessive moisture or alkali. Remove dirt, paint, varnish, wax, oils, solvents, any foreign matter and contaminates.
- Do not use products containing petroleum, solvents or citrus oils to prepare substrates as they can cause staining and expansion of the new flooring.
- Although this floor is waterproof, it is not aimed to be used as a moisture barrier. The concrete moisture vapor emissions should not exceed 8 lb / 3.63 kg (ASTM F1869) / 90 % RH (ASTM F2170) with a PH limit of 9 / max 2.5 % moisture content (CM method).
- This product is also not to be installed in areas that have a risk of flooding such as saunas or outdoor areas.
- Existing sheet vinyl floors should not be heavily cushioned and not exceed more than one layer in thickness. Soft underlayment and soft substrates will diminish the products inherent strength in resisting indentations.

## WOOD SUBFLOORS

- If this flooring is intended to be installed over an existing wood floor, it is recommended to repair any loose boards or squeaks before you begin the installation.
- Nail or screw every 6" / 15 cm along joints to avoid squeaking.
- Basements and crawl spaces must be dry. Use of a 6 mil / 0.15 mm poly-film is required to cover 100 % of the crawl space earth.
- We recommend laying the flooring crossways to the existing floorboards.
- All other subfloors - Plywood, OSB, particleboard, chipboard, wafer board, etc. must be structurally sound and must be installed following their manufacturer's recommendations.

## CONCRETE SUBFLOORS

- Existing concrete subfloors must be fully cured, at least 60 days old, smooth, permanently dry, clean, and free of all foreign material such as dust, wax, solvents, paint, grease, oils, and old adhesive residue. Curing agents and hardeners could cause bonding failure and should not be used.
- We recommend using a minimum 6 mil / 0.15 mm poly-film as a moisture barrier between the concrete subfloor and the flooring.

## DO NOT INSTALL OVER

- Any type of carpet.
- Existing cushion-backed vinyl flooring.
- Floating floor of any type, loose lay, and perimeter fastened sheet vinyl.
- Hardwood flooring / wood subfloors that lay directly on concrete or over dimensional lumber or plywood used over concrete.

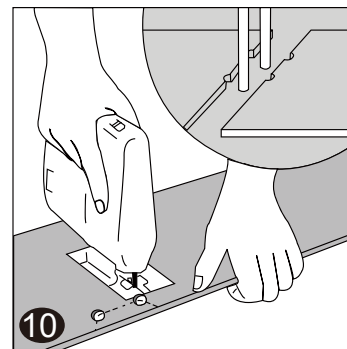
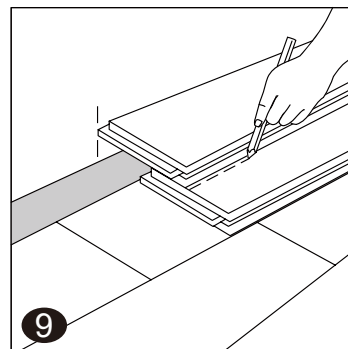
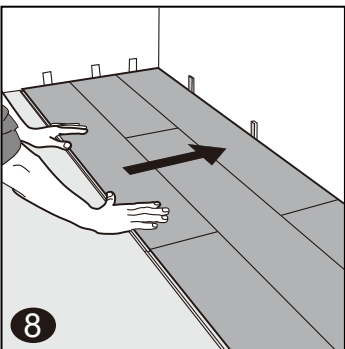
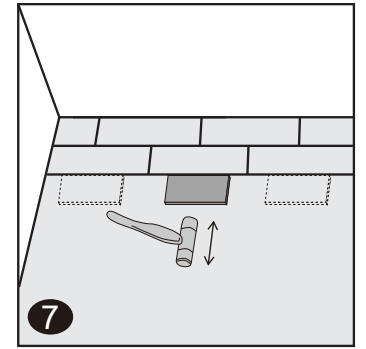
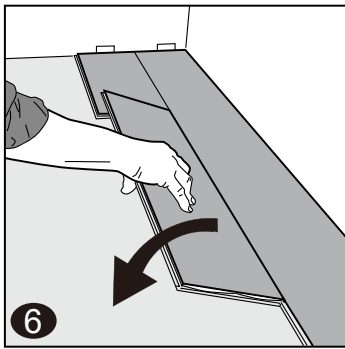
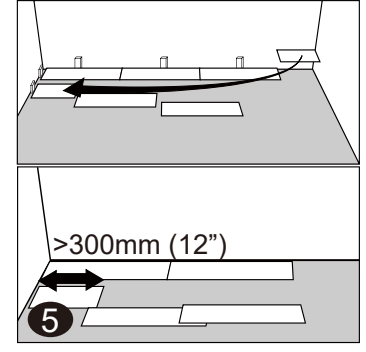
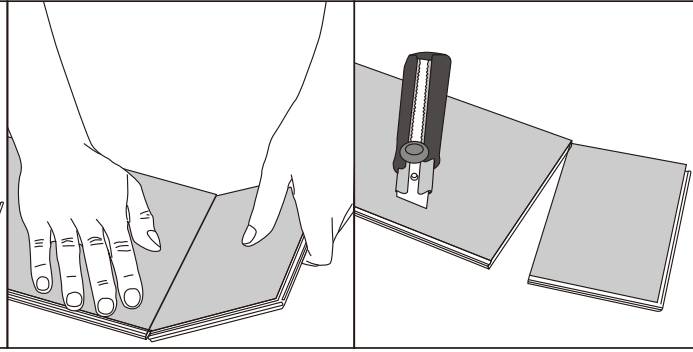
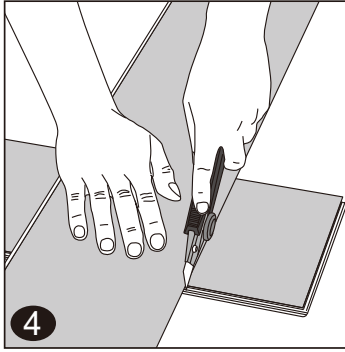
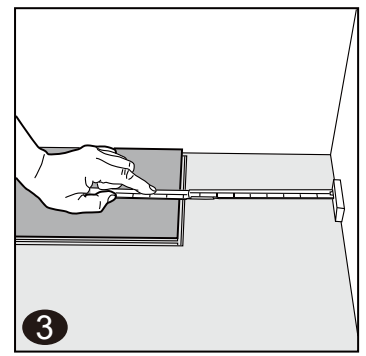
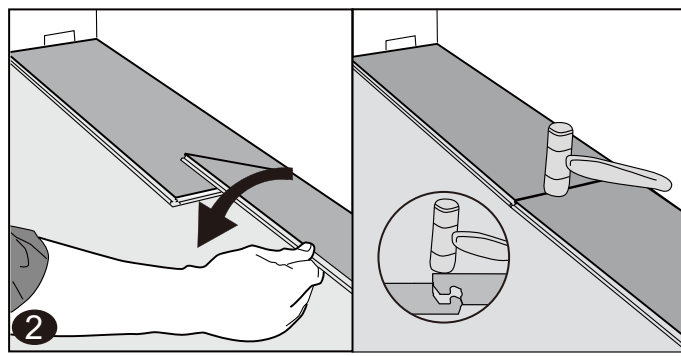
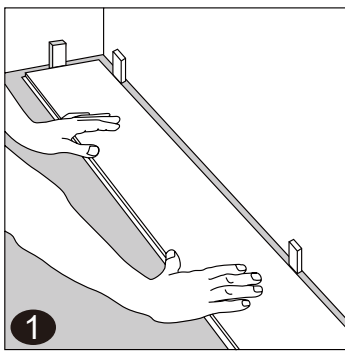
### IMPORTANT NOTICE

**In-floor Radiant Heat:** Flooring can be installed over 1/2" / 12 mm embedded water-based radiant heat using the floating method. Maximum operating temperature should never exceed 85°F / 30°C. Use of an in-floor temperature sensor is recommended to avoid overheating.

- Turn the heat off for 24 hours before, during and 24 hours after installation when installing over radiant heated subfloors.
- Before installing over newly constructed radiant heat systems, operate the system at maximum capacity to force any residual moisture from the cementitious topping of the radiant heat system.
- Make sure that the temperature in the room is maintained consistent between 70-80°F / 20-25°C before and during the installation.
- Floor temperature must not exceed 85°F / 30°C.
- Once the installation has been completed, the heating system should be turned on and increased gradually (5-degree increments) until returning to normal operating conditions.
- Refer to the radiant heat system's manufacturer recommendations for additional guidance.

## III. INSTALLATION

- Remove baseboard, quarter-round moldings, wall base, appliances and furniture from room. For best results, door trim should be under-cut to allow flooring to move freely without being pinched. After preparation work, sweep and vacuum the entire work area to remove all dust and debris.
  - With a floating floor you must always ensure you leave 1/2" / 10 mm gap between walls and fixtures such as pillars, stairs, etc. These gaps will be covered with trim moldings after the floor is installed.
  - Whenever possible, plan the layout so that the joints in the tiles do not fall on top of joints or seams in the existing substrate. Do not install over expansion joints. Avoid installing pieces shorter than 12" / 30 cm at beginning or end of rows.
  - Do not install your kitchen cabinets directly over your floor. The floor's quality can only be guaranteed as long as the floor is allowed move freely.
  - Decide the installation direction. It is recommended to install the tiles perpendicular to the window following the direction of the main source of light.
  - Measure the area to be installed: The tile width of the last row shall not be less than 2" / 50 mm. If so, adjust the width of the first row to be installed. In narrow hallways, it is recommended to install the floor parallel to the length of the hall.
  - **UNDERLAY:** If the floor does not have a pre-attached underlayment, an additional underlayment is recommended in order to improve acoustic performance and absorb some irregularities on the substrate. Best results can be expected with an underlayment of 0.04" / 1 mm to max 0.06" / 1.5 mm thickness with a high density (>11.2 lbs / ft<sup>3</sup> / >180 kg / m<sup>3</sup>) and high compressive strength (>200 kPa) that supports the click system during daily use. Underlayments with a low density and an inadequate compressive strength could damage the locking mechanism and will void warranty.
- If the floor has a pre-attached underlayment, the use of an additional underlayment could damage the locking mechanism and will void warranty.



**1. First row, first plank:** After thoroughly cleaning the subfloor, you should begin laying from left to right. Position the first plank so that grooved edge is facing you. Place the floorboard 1/2" / 10 mm mm from the left wall. Use spacers between the wall and the floorboard.

**2. First row, second plank:** Drop the plank and gently tap down the end with a rubber mallet so it firmly locks into the previous plank until both are at the same height. Make sure both planks are perfectly aligned. It is crucial that after the short edges of two connecting planks are correctly aligned, and the rubber mallet contacts the plank in the area directly above the short edge, allowing for a correct locking.

**Note:** Tapping the area close to the short edge, but not directly above it, may result in permanent damage to the joint. Continue installing the first row until you reach the wall on the right.

**IMPORTANT:** If you notice both planks aren't at the same height or are not well locked together, please follow the disassembling instructions at the bottom of the page, disassemble and check if any debris stuck inside the lock is obstructing. Failure to properly line up the end joint and attempting to force it in while out of alignment could result in permanent damage to the end joint.

**3. First row, last plank:** At the end of the first row, leave an expansion gap of 1/2" / 10 mm to the wall and measure the length of the last plank to fit.

**4. To cut the plank:** Use a simple utility knife and ruler, and with the top side facing up, cut heavily and several times on the same axis. The knife will not go through the surface but make a deep cut. You can then lift one half of the plank using your other hand to hold down the second placing it very close to the cut. The plank will split naturally.

**5. Second row, first plank:** Start the second row with the leftover cut part of the last plank of the previous row. This small plank should measure at least 12" / 30 cm. Otherwise, cut a new plank in half and use it to begin the second row. The end joints of each adjoining row should not be closer than 8" / 20 cm to each other. Whenever practical, use the piece cut from the preceding row to start the next row.

**6. Second row, second plank:** Click the long side of the plank into the previous row and place it tight to the short end of the previous plank with an angle of 25-30°. Drop the plank and gently tap on the end with a rubber mallet so it firmly locks into the previous plank until both are at the same height. Make sure both planks are perfectly aligned.

**7. After finishing the installation of every row:** Use tapping block and a small hammer or rubber mallet to gently tap the planks into the click of the previous row to make sure they are tightly clicked together and make sure there is no gap between the long side of the planks installed. Any gapping can compromise the whole installation.

**8. Tip:** After the first 2-3 rows of planks are installed, they should be checked with a string line to ensure that rows are still running straight. If they are not, it could be that the starting wall has some irregularities that caused bowing in the installation. If so, the starting row of planks may have to be scribed and re-trimmed to account for any unevenness in the wall. This can be done without having to disassemble the beginning rows.

**9. To lay the last row:** Position a loose board exactly on top of the last row laid. Place another board on top, with the tongue side touching the wall. Draw a line along the edge of this boards, to mark the first board. Cut along the edge of this board to mark the first board. Cut along this line to obtain the required width. Insert this cut board against the wall. The last row should be at least 2" / 50 mm wide. The spacers can then be removed.

**10. Holes for pipes:** Measure the diameter of the pipe and drill a hole that is 3/4" / 20 mm larger. Saw off a piece as shown in the figure and lay the board in place on the floor. Then lay the sawed-off piece in place.

**11. Door molding and skirting:** Lay a board (with the decorative side down) next to the door molding and saw as shown in the figure. Then slide the floorboard under molding.

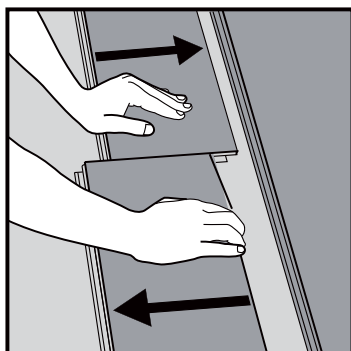
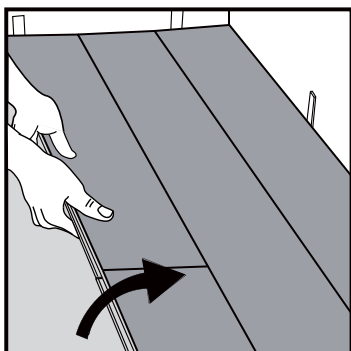
#### IV. FINISHING THE INSTALLATION

Replace molding or wall base, allowing slight clearance between the molding and the planks. Nail the molding to the wall surface, not through the flooring. At doorways and at other areas where the flooring planks may meet other flooring surfaces, the use of a transition molding is required to cover the exposed edge but do not pinch the planks. Leave a 3/4" / 20 mm gap between the planks and the adjoining surface.

#### V. MAINTENANCE

- Sweep or vacuum daily using soft bristle attachments.
- Clean up spills and excessive liquids immediately.
- Damp mop as needed and use cleaners recommended for vinyl flooring.
- Use proper floor protection devices such as felt protectors under furniture.
- Place a walk-off mat at outside entrances to reduce the amount of dirt brought into your home. Do not use mats with a latex or rubber backing since these backings can cause permanent discoloration.
- Do not use abrasive cleaners, bleach or wax to maintain the floor.
- Do not drag or slide heavy objects across the floor.

#### VI. DISASSEMBLING



Separate the whole row by lifting it up delicately at an angle.

To separate the planks, leave them flat on the ground and slide them apart. If planks do not separate easy, you can slightly lift up the planks (5°) when sliding them apart.





# DIRECTRICES DE INSTALACIÓN

Gracias por elegir nuestro piso. Al instalarlo adecuadamente, su piso nuevo será fácil de mantener y mantendrá su gran aspecto durante años. Lea todas las instrucciones antes de comenzar la instalación. La instalación incorrecta anulará la garantía.

## I. PREPARATIVOS GENERALES

**HERRAMIENTAS NECESARIAS:** Espaciadores, mazo de goma, regla, lápiz, cinta métrica, cuchillo (Cutter) y bloque de tapeo.

- Antes de la instalación, inspeccione el material a la luz del día para ver si hay daños visibles, incluyendo defectos o discrepancias en color o brillo, compruebe los bordes para asegurarse que están rectos y sin daños. No se aceptarán reclamaciones de defectos superficiales después de la instalación.
- Es preferible colocar los tablones en sentido perpendicular a la ventana, siguiendo la dirección de la fuente principal de luz. Para obtener el mejor resultado, asegúrese de trabajar siempre de 3 a 4 cajas a la vez, mezclando los tablones durante la instalación.
- Compruebe si las condiciones del subsuelo/sitio cumplen con las especificaciones descritas en estas instrucciones. Si no está satisfecho, no lo instale y póngase en contacto con su proveedor.
- Los productos pueden dañarse por una manipulación brusca antes de la instalación. Tenga cuidado al manipular y transportar estos productos. Almacene, transporte y maneje las cajas de manera que se evite cualquier daño. Almacene las cajas en posición plana, nunca en vertical.
- Los productos pueden ser pesados y voluminosos. Siempre use técnicas de elevación apropiadas cuando maneje estos productos. Siempre que sea posible, haga uso de equipos de manipulación de materiales tales como carros de carga o carritos de material. Nunca levante más de lo que pueda manejar con seguridad; obtenga ayuda.
- Calcule la superficie de la habitación antes de la instalación y planee un 5-10 % extra de piso para desechos de corte.
- El entorno en el que se va a instalar el piso tiene una importancia crítica en lo que se refiere a la instalación exitosa y al rendimiento continuo del producto. El piso está diseñado para ser instalado en interiores solamente. Estas ubicaciones interiores también deben cumplir con los requisitos climáticos y estructurales.
- En la mayoría de casos este producto no necesita aclimatación. Sin embargo, si las cajas del piso fueron expuestas durante más de dos horas a temperaturas extremas por debajo de 60°F / 15°C o mayores de 85°F / 30°C durante las 12 horas previas a la instalación, se requerirá aclimatación. En este caso, deje los tablones a temperatura ambiente de la habitación durante al menos 12 horas dentro de las cajas antes de comenzar la instalación.
- El piso deberá instalarse únicamente en espacios con temperatura entre 65-80°F / 18-25°C, es necesario mantener una temperatura constante antes y durante la instalación. No se recomienda el uso de calefactores portátiles ya que es probable que no calienten suficientemente la habitación y el subsuelo. Nunca deben usarse calentadores de queroseno.
- Después de la instalación, asegúrese de que el piso no esté expuesto a temperaturas menores de 60°F / 15°C o mayores de 85°F / 30°C.
- Para superficies de piso que excedan 4300 ft<sup>2</sup> / 400 m<sup>2</sup> y/o longitudes superiores a 65 ft / 20 m, use molduras de expansión.

## II. INFORMACIÓN DEL SUBSUELO

- El piso se puede instalar sobre la mayoría de los revestimientos para pisos de superficie dura, siempre que la superficie del piso esté limpia, plana, seca, bien sujeta, estructuralmente sólida y nivelada a 3/16" / 5 mm en 10 ft / 3 m.
- El subsuelo no debe tener pendientes mayores de 1" / 25 mm cada 6 ft / 2 m en cualquier dirección.
- Las depresiones, ranuras profundas, juntas de expansión y otras imperfecciones del subsuelo deben rellenarse con un compuesto de nivelación.
- Los sustratos deben estar libres de humedad excesiva o álcali. Elimine la suciedad, pintura, barniz, cera, aceites, disolventes, cualquier materia extraña y contaminantes.
- No utilice productos que contengan petróleo, solventes o aceites cítricos para preparar sustratos, ya que pueden causar manchas y expansión del nuevo piso.
- Aunque este piso es impermeable, no está diseñado para usarse como barrera contra la humedad. Las emisiones de vapor de humedad del concreto no deben exceder las 8 lb / 3.63 Kg (ASTM F1869) / 90% RH (ASTM F2170) con un límite de PH de 9 / máx. 2.5% de contenido de humedad (método CM).
- Este producto tampoco debe instalarse en áreas con riesgo de inundación, como saunas o áreas al aire libre.
- Los pisos de vinilo existentes previamente no deben estar acolchados en exceso y no sobrepasar más de una capa de grosor. El bajo piso o subsuelo demasiado blando disminuirán las capacidades inherentes del producto de resistencia a las hendiduras.

## SUBSUELOS DE MADERA

- Si este piso está destinado a ser instalado sobre un piso de madera existente, se recomienda reparar cualquier tabla suelta o chirrido antes de comenzar la instalación.

- Clave o atornille cada 6" / 15 cm a lo largo de las viguetas para evitar chirridos.
- Los sótanos y cámaras deben estar secos. El uso de una capa de polietileno de 6 mil / 0.15 mm es necesario para cubrir el 100% de la tierra en la cámara.
- Recomendamos instalar el piso perpendicularmente sobre las tablas pre-existentes.
- Todos los otros subsuelos - madera contrachapada, OSB, tableros de aglomerado, aglomerado, etc. deben ser estructuralmente sólidos y deben instalarse siguiendo las recomendaciones del fabricante.

### SUBSUELOS DE CONCRETO

- Los pisos deben estar completamente curados, con al menos 60 días de antigüedad, lisos, permanentemente secos, limpios y libres de todo material extraño como polvo, cera, solventes, pintura, grasa, aceites y residuos de adhesivos viejos. Agentes de curado y endurecedores podrían causar un fallo de adhesión y no deben utilizarse.
- Recomendamos que use una capa de polietileno de al menos 6 mil / 0.15 mm como barrera contra la humedad entre el subsuelo de concreto y el piso.

### NO INSTALAR SOBRE

- Cualquier tipo de alfombra.
- Piso de vinilo con respaldo pre-existente.
- Piso flotante de cualquier tipo, "loose lay" y capa de vinilo fijada en el perímetro.
- Pisos de madera dura / pisos de madera instalados directamente sobre el concreto, madera dimensional o madera contrachapada usada sobre concreto.

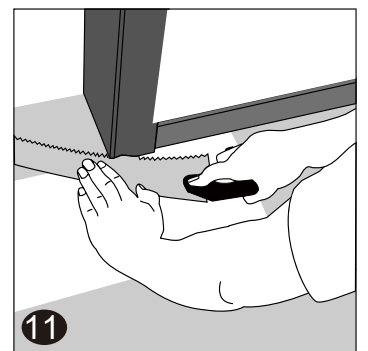
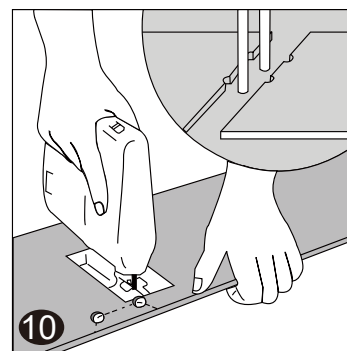
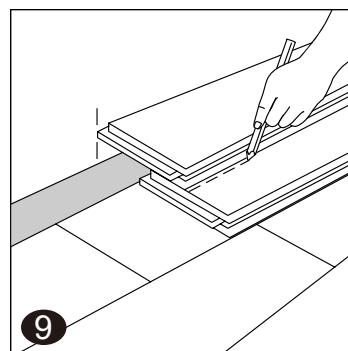
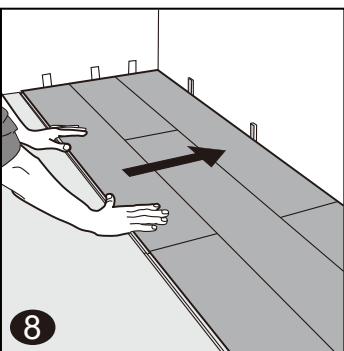
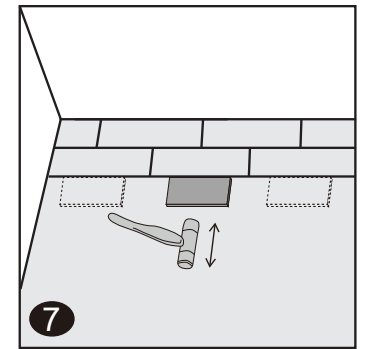
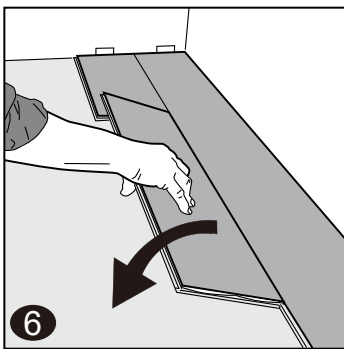
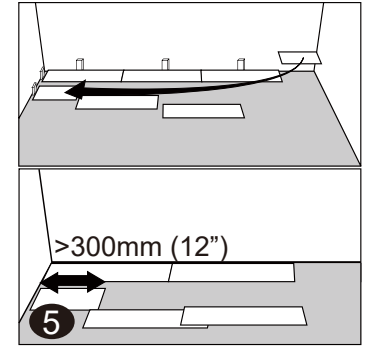
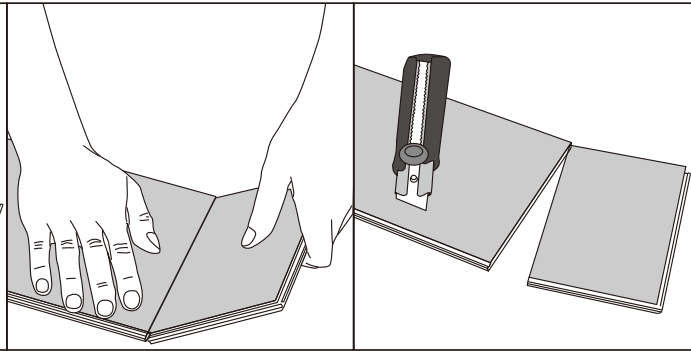
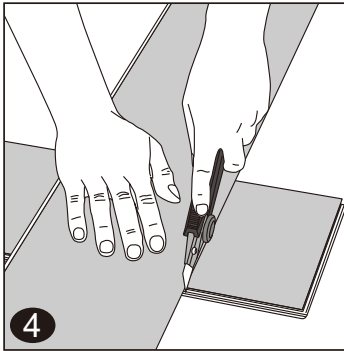
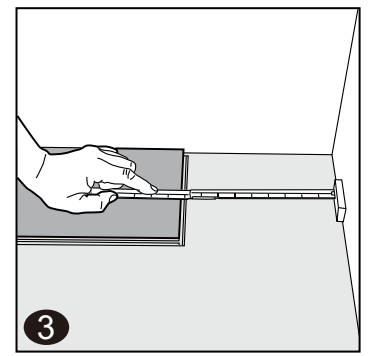
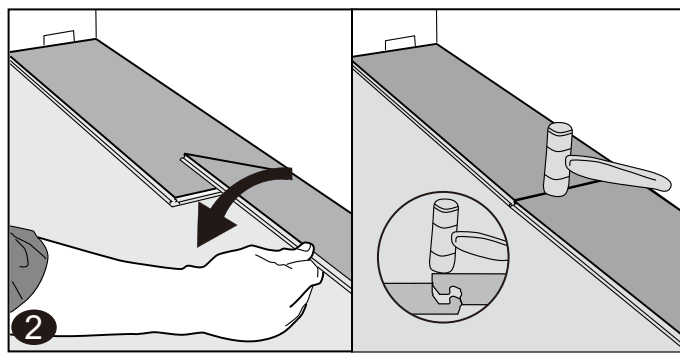
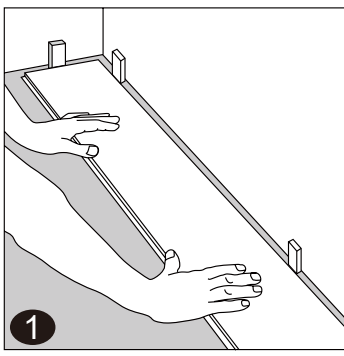
### AVISO IMPORTANTE

**Radiadores de calor incorporados en el piso:** El piso se puede instalar sobre un sistema de calefacción de agua incorporado de 1/2" / 12 mm usando el método de instalación flotante. La temperatura máxima de operación no debe exceder nunca 85°F / 30°C. Para evitar el sobrecalentamiento se recomienda usar un sensor de temperatura integrado en el piso.

- Apague el calor 24 horas antes, durante y 24 horas después de la instalación, al instalar con sistemas de calefacción incorporados en el piso.
- Antes de instalar sobre sistemas de calor radiante recién construidos, opere el sistema a su máxima capacidad para forzar que la humedad residual de la capa de cemento del sistema de calor radiante salga.
- Asegúrese de que la temperatura en la habitación se mantiene constante entre 50-90°F / 10-32°C antes y durante la instalación.
- La temperatura del piso no debe exceder los 85°F / 30°C.
- Una vez completada la instalación, el sistema de calefacción debe encenderse y aumentarse gradualmente (incrementos de 5-grados) hasta volver a las condiciones normales de funcionamiento.
- Consulte las recomendaciones del fabricante del sistema de calefacción para obtener orientación adicional.

### III. INSTALACIÓN

- Retire de la habitación el zócalo, las molduras, la base de la pared, los electrodomésticos y los muebles. Para obtener los mejores resultados, el revestimiento de la puerta debe estar sobre-cortado para permitir que el piso se mueva libremente sin ser presionado. Después del trabajo de preparación, barra y aspire el área de trabajo para eliminar todo el polvo y los residuos.
- Con un piso flotante siempre debe asegurarse de dejar una separación 1/2" / 10 mm entre las paredes y puntos fijos tales como tuberías y pilares, escaleras, etc. Estos espacios se cubrirán con molduras de revestimiento después de instalar el piso.
- Siempre que sea posible, planifique el diseño de manera que las juntas de los tablones no caigan sobre las juntas o las uniones del sustrato pre-existente. Las juntas finales de los tablones deben estar escalonadas a un mínimo de 8" / 20 mm entre sí. No instale sobre juntas de expansión. Evite instalar piezas de menos de 12" / 30 cm al principio o al final de las filas.
- No instale sus gabinetes de cocina directamente sobre su piso. La calidad de este piso se puede garantizar siempre y cuando el piso pueda moverse libremente.
- Decida la dirección de instalación. Se recomienda instalar la longitud de los tablones paralelos a la ventana siguiendo la dirección de la luz principal.
- Mida el área a instalar: El ancho del tablón de la última fila no debe ser menor de 2" / 50 mm. Si es así, ajuste el ancho de la primera fila a instalar. En pasillos estrechos, se recomienda instalar el piso paralelo a la longitud del pasillo.
- Capa base: en caso de que el piso no tenga una capa base pre-instalada, se recomienda el uso de una capa base adicional para mejorar el rendimiento acústico y absorber algunas irregularidades en el subsuelo. Los mejores resultados se pueden esperar con una capa base de 0.04" / 1 mm a máximo 0.06" / 1.5 mm espesor con una alta densidad (>11.2 lbs / ft<sup>3</sup> > 180kg / m<sup>3</sup>) y de alta resistencia a la compresión (> 200KPa) que soporta el sistema de click en el uso diario. Capas base baratas de baja densidad y la resistencia a la compresión inadecuada podrían dañar el mecanismo de cierre, lo que anulará la garantía. En caso de que el piso tenga una capa base pre-instalada, el uso de una capa base adicional podría dañar el mecanismo de cierre, lo que anulará la garantía.



**1. Primera fila, primer tablón:** Después de limpiar bien el subsuelo, comience colocando de izquierda a derecha. Coloque el primer tablón de manera que la lengüeta quede mirando hacia usted. Colocando el tablón a 1/2" / 10 mm de la esquina izquierda de la pared. Utilice separadores entre la pared y el piso.

**2. Primera fila, segundo tablón:** Deje caer la tabla y golpee suavemente el extremo con un mazo de goma para que encaje firmemente en la tabla anterior hasta que ambos estén a la misma altura. Asegúrese de que ambos tabloncillos estén perfectamente alineados. Es crucial que después de que los bordes cortos de dos tabloncillos de conexión estén correctamente alineados, y el mazo de goma haga contacto con el tablón en el área directamente sobre el borde corto, permitiendo un encaje correcto. **NOTA:** Golpear el área cerca del borde corto, pero no directamente encima, puede causar un daño permanente a la articulación. Continúe instalando la primera fila hasta que llegue a la pared de la derecha.

**AVISO IMPORTANTE:** Si nota que los tabloncillos no están a la misma altura o no están bien encajados entre sí, por favor siga las instrucciones de desmontaje al final de la página; desmóntelas y verifique si hay algún residuo en la ranura obstruyendo. Un mal alineamiento de la junta final o el forzar el mecanismo cuando los tabloncillos no están debidamente encajados puede resultar en un daño permanente en la junta final.

**3. Primera fila, último tablón:** Al final de la primera fila, deje un espacio de expansión de 1/2" / 10 mm hasta la pared y mida la longitud del último tablón para que tenga suficiente espacio.

**4. Como cortar el tablón:** Para cortar el tablón, use un cuchillo y una regla, y con la cara hacia arriba, corte fuertemente y repitiendo varias veces en la misma línea. El cuchillo no traspasará la superficie, pero hará un corte profundo. Luego se puede levantar una mitad del tablón usando la otra mano muy cerca del corte para sostener debajo la otra mitad. Así, el tablón se separará naturalmente.

**5. Segunda fila, primer tablón:** Comience la segunda fila con la parte cortada del último tablón de la fila anterior. Este pequeño tablón debe medir al menos 12" / 30 cm. De lo contrario, puede cortar otro tablón en la mitad y usarlo al comienzo de la segunda fila. Las juntas de los extremos de cada fila contigua no deben acercarse a menos de 8" / 20 cm. Cuando sea práctico, use la pieza cortada de la fila anterior para iniciar la siguiente fila.

**6. Segunda fila, segundo tablón:** Conecte el tablón en el lado largo con la fila anterior y ubíquelo ajustado hacia el extremo corto del tablón anterior con un ángulo de 25-30°. Deje caer el tablón y golpee el extremo suavemente con un martillo de goma para que quede ajustado con el tablón anterior hasta que ambos tablonen estén a la misma altura. Asegúrese de que ambos tablonen estén perfectamente alineados.

**7. Una vez finalizada la instalación de cada fila:** Use un bloque de tapeo y un pequeño martillo o un mazo de goma para golpear ligeramente los tablonen dentro del clic de la fila anterior y así asegurar que están estrechamente colocados dentro del clic y que no hay espacio a lo largo de los tablonen instalados. Cualquier espacio entre los tablonen puede comprometer toda la instalación.

**8. Consejo útil:** Después de que las primeras 2-3 filas de los tablonen estén instalados, deben ser comprobados con una línea de cuerda para asegurarse de que las filas están todavía en línea recta. Si no lo están, podría ser que la pared de inicio tenga algunas irregularidades que causaron curvatura en la instalación. Si es así, la fila inicial del tablón puede tener que ser trazada y recortada para tener en cuenta cualquier irregularidad en la pared. Esto puede hacerse sin tener que desmontar las filas iniciales.

**9. Para instalar la última fila:** Posicione un tablón suelto exactamente en la parte superior de la última fila. Coloque otro tablón en la parte superior, el lado de la lengüeta tocando la pared. Dibuje una línea a lo largo del borde estos tablonen, con el propósito de marcar el primer tablón. Corte a lo largo de la línea para obtener el ancho requerido. Inserte este tablón cortado contra la pared. La última fila debe ser de al menos 2" / 50 mm de ancho. Los espaciadores se podrán retirar.

**10. Agujeros para tuberías:** Mida el diámetro de la tubería y perfora un agujero 3/4" / 20 mm más grande. Sierre un pedazo, como se muestra en la figura y ponga el tablón en su sitio. Luego, coloque la pieza recortada en su lugar.

**11. Molduras de puertas y zócalos:** Coloque un tablón (con el lado decorativo hacia abajo) al lado de la moldura de la puerta como se muestra en la figura. Luego deslice el tablón debajo de la moldura.

#### IV. TERMINACIÓN DE LA INSTALACIÓN

Reemplace el molde o la base de la pared, permitiendo un pequeño espacio libre entre el molde y los tablonen. Clave la moldura a la superficie de la pared, no a través del piso.

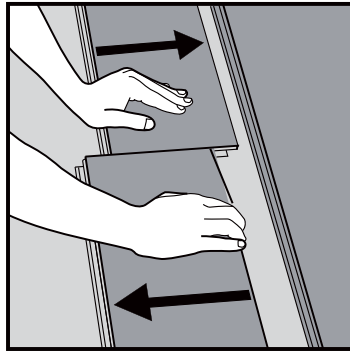
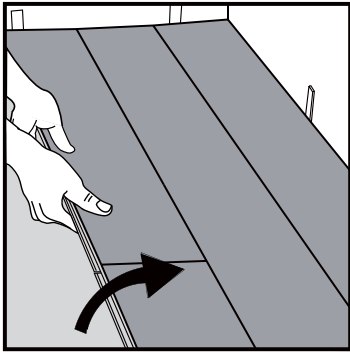
En las puertas y en otras áreas donde los tablonen pueden encontrarse con otras superficies, se requiere usar una moldura de transición para cubrir el borde expuesto, pero sin presionar los tablonen. Deje un pequeño espacio de 3/4" / 20 mm entre los tablonen y la superficie adyacente.

#### V. MANTENIMIENTO

- Barrer o aspirar a diario, con accesorios de cerdas suaves.
- Limpie inmediatamente los derrames y el exceso de líquidos.
- Pase la mopa húmeda según sea necesario y use detergentes recomendados para pisos de vinilo.
- Use dispositivos adecuados de protección del piso como protectores de fieltro debajo de los muebles.
- Coloque una alfombra en las entradas exteriores para reducir la cantidad de suciedad que se introduce en su hogar. No use tapetes con un respaldo de látex o de goma ya que estos respaldos pueden causar una decoloración permanente.
- No use limpiadores abrasivos, lejía o cera para mantener el piso.
- No arrastre ni deslice objetos pesados por el suelo.



## VI. DESMONTAJE



Separe toda la fila levantándola con delicadeza en un ángulo. Para separar los tableros, colóquelos en el suelo y sepárelos. Si los tableros no se separan fácilmente, puede levantarlos ligeramente a unos 5 grados cuando los esté separando.